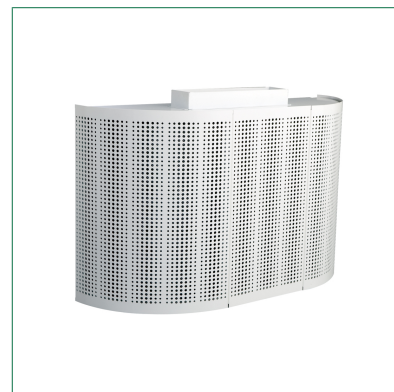


Floormaster® DVPA, flat terminals



Floormaster® DVPA is flat supply air terminals designed for positioning on the floor against a wall with a diffusion pattern of 180 degrees.

The terminals are designed for displacement air handling in accordance with the Floormaster system for good air comfort and high ventilation efficiency.

Floormaster terminal devices are equipped with an air distribution system consisting of a roll-shaped perforated distribution plate with an attached honeycomb sheet in black polycarbonate. This component combination permits uniformly horizontal air distribution through the front panel with a short near zone and a very low noise level.

Quick Selection

Floormaster® DVPA, flat surface-mounted terminal

Size	Height	Connection	Air flow range l/s at sound level		
			25 dB(A)	30 dB(A)	35 dB(A)
0306	400	300 x 60	68	78	92
0410	600	400 x 100	160	200	240
0715	1000	700 x 150	420	510	620
1220	1500	1200 x 200	980	1190	1400
1330	2000	1300 x 300	1600	1840	2300

Specifications

- 5 sizes
- Very low sound level
- Uniformly diffusion pattern (180°)
- Short comfort boundaries
- External duct connection (male)
- Outlet for flow measurement
- Terminal base as accessory
- Easy maintenance - no spare parts
- Dismountable front plate
- No visual screws

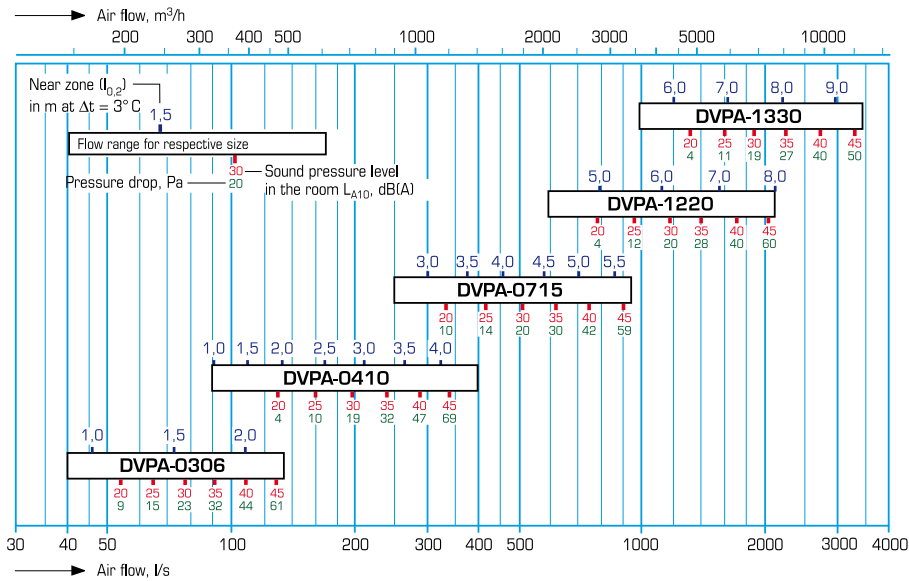
Product code example

Floormaster DVPA-0715-0-0-1-0
(Size 0715, height 1000 mm, external connection, top connection, without mounted terminal base and standard white colour).

AIRTREND Ltd
Predstavništvo u Beogradu
Kumanovska 14, 11000 Beograd
Tel: 011/3836886, 3085740
Faks: 011/3444113
e-mail: gobrid@eunet.rs
web: www.airtrend.rs

Capacity, Sound data

Capacity data - Airflow, comfort boundaries, sound level



Sound power level in Octave bands

The sound power level in octave bands is obtained by adding the correction (with sign) in the table to the acoustic value in the graphs. The indicated sound levels are applicable for 4 dB room attenuation (10 m² room absorption area).

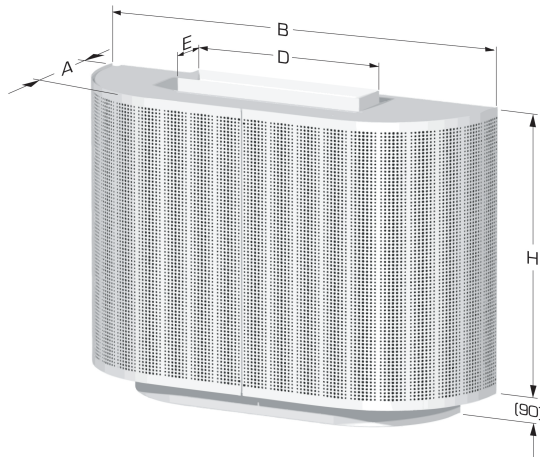
	Octave bands, centre frequency Hz							
	63	125	250	500	1000	2000	4000	8000
DVPA	-9	2	6	4	-1	-9	-15	-11
Tolerance +/-dB	4	2	1	0	1	3	1	4

Sound attenuation

The table shows the difference between the sound power level in the duct and the sound power level in the room, in dB. Orifice attenuation is included in the calculation. Sound levels in the capacity graphs apply for an unchanged connection diameter.

DVPA size	Octave bands, center frequency Hz							
	63	125	250	500	1000	2000	4000	8000
0306	17	10	6	3	2	2	3	5
0410	15	8	2	3	2	2	3	5
0715	12	5	2	3	2	2	3	5
1220	9	2	2	3	2	2	3	5
1330	8	2	2	3	2	2	2	4

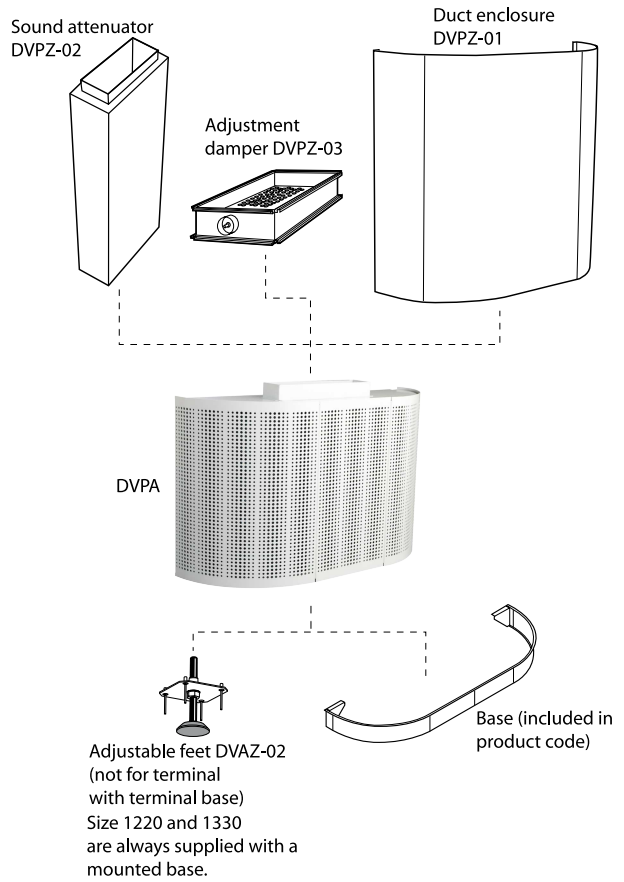
Dimensions and weights



Size	D [mm]	E [mm]	H [mm]	A [mm]	B [mm]	F [mm]	Weight [kg]
0306	300	60	400	210	567	70	6.2
0410	400	100	600	340	929	97	14.8
0715	700	150	1000	390	1494	100	38.3
1220	1200	200	1500	440	2236	105	80.1
1330	1300	300	2000	535	2699	105	125.2

Product summary and description

Product summary



Material and surface finish

Floormaster terminal devices are equipped with an air distribution system consisting of a roll-shaped perforated distribution plate with an attached honeycomb sheet in black polycarbonate. This component combination permits uniformly horizontal air diffusion through the front panel with a short throw and a very low noise level.

The air distribution system is surrounded by a casing and is accessible by removing the front panel of the device.

The Floormaster terminals are made from hot-dip galvanized steel sheet, SS1151.

The Floormaster terminals are easy to maintain and no replacement parts are necessary.

The terminals are powder-coated for a high surface finish and good impact and scratch resistance. Standard colour White RAL-9010, gloss 30, equivalent to NCS S 0502Y. Other colours on request.

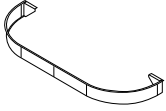
Instructions

Directions for installation, adjustment and care are set out in detail in our technical instruction which accompanies each product. The instruction is also accessible on www.flaktgroup.com.

Technical data and dimensioning

For complete dimensioning details, please see FläktGroup product selection program. Contact our nearest sales office for further information.

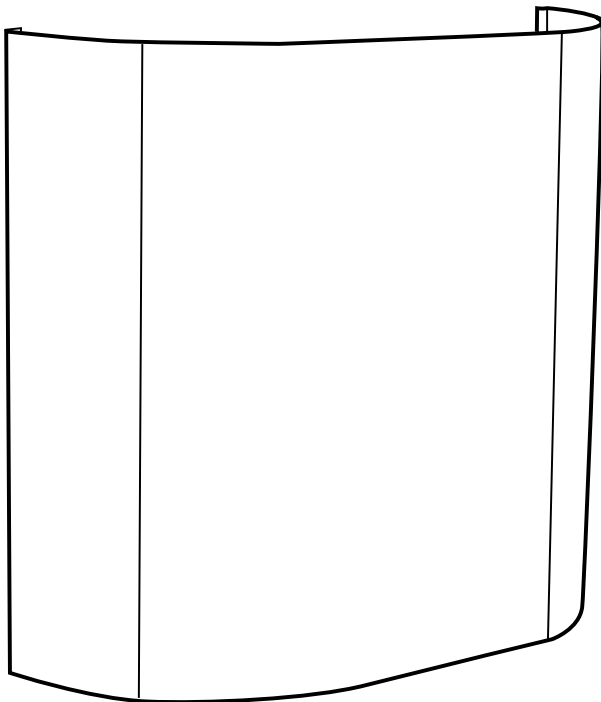
Terminal base



Flat surface-mounted Floormaster terminals of size 0306, 0410 and 0715 are supplied with small plastic feet. Terminal base is available as a choice in the main product code for these sizes.

Flat surface-mounted Floormaster terminals of size 1220 and 1330 are always supplied with a mounted base. The base is adapted to the shape of the terminal and has a height of 90 mm. It is made from hot-dip galvanized steel sheet SS 1151 and powder-coated in the same colour as the terminal. Note: Terminals who has been ordered and delivered with a terminal base can't be equipped with adjustable feet.

Duct enclosure DVPZ-01



Terminal-shaped duct enclosure with telescopic function (length 1800-2400 mm) is available as accessories for the DVPA size 0306, 0410 and 0715. Powder-coated in the same colour as the terminal.

Descriptive text

Descriptive text

Floormaster terminal manufactured by FläktGroup. DVPA size 0715 height 1000 mm, external connection, with terminal base, sound attenuator and duct enclosure. Standard colour.

Special constructions

Describe the deviations from the standard model clearly and replace the product code letter standing for the construction part in question with an X.

Product code

Floormaster terminal **DVPA-aaaa-b-c-d-e**

Size (aaaa)

0306, 0410, 0715, 1220, 1330

Connection alternatives (b)

0 = Top connection

1 = Bottom connection

Function (c)

0 = Without induction

Terminal base (d)

0 = Without

1 = With (mounted)

(Size 1220 and 1330 are always supplied with a mounted base)

Colour (e)

0 = Standard colour

Accessories

Duct enclosure **DVPZ-01-bbbb-c-d**
with telescopic function

Size (bbbb)

0306, 0410, 0715

Length (c)

1 = 900 - 1300 mm

2 = 1300 - 1800 mm

3 = 1800 - 2400 mm

Colour (d)

0 = Standard colour

Adjustment damper **DVPZ-03-bbbb-ccc**

Size (connection dimensions) (bbbb-ccc)

0306, 0410, 0715, 1220, 1330

Rectangular sound attenuator **DVPZ-02-bbbb-ccc**

Size (connection dimensions) (bbbb-ccc)

0300-060, 0400-100, 0700-150, 1200-200, 1300-300

Adjustable feet
Set with 3 pieces

DVAZ-02